



BB1S

DIAMOND DRILLING EQUIPMENT

THE LIGHT-WEIGHT
FOR THE PROFESSIONAL
IN THE BUILDING TRADE

BRAUN[®]

MASCHINENFABRIK

BOREHOLES UP TO 170 mm DIAMETER

BB1S

The drill rig for the building trade!

The light metal design in combination with the free from play adjustable single-column-guidance guarantees high efficiency at low weight.

Easy and energy sparing operation through spindle feed with handwheel.

TECHNICAL DATAS:

max. core bit diameter: up to \varnothing 170 mm
weight: 14 kg
usable length: 560 mm
machine height: 940 mm
max. core bit length: 500 mm

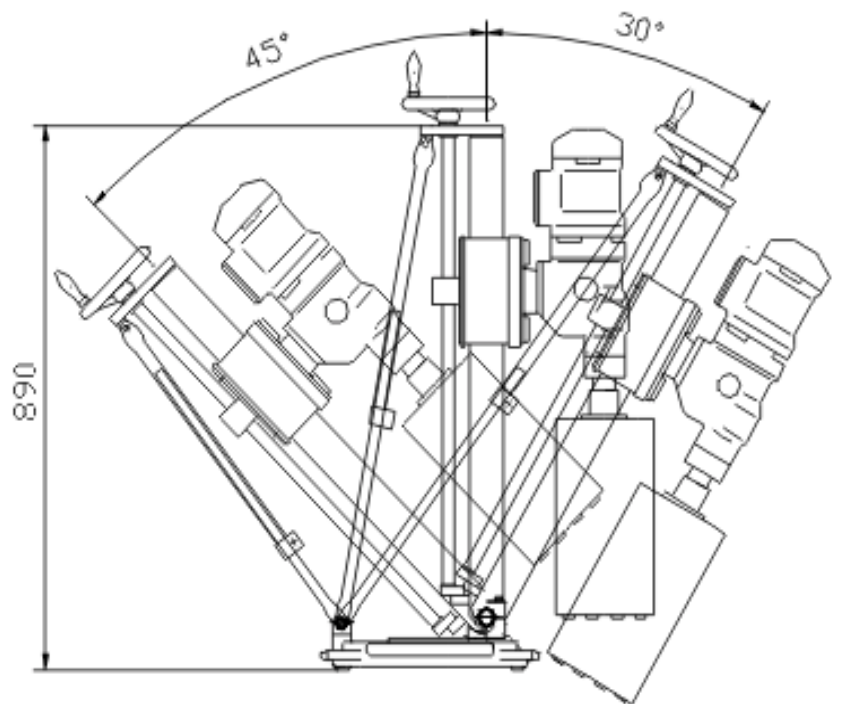
inclinable up to 45° backwards and 30° forward

combined dowel-vacuum plate

single-column-guidance made of chromium plated polished sectional steel tubes

adjustable guide plate
made of wear-resistant plastic

adjusting feet with movable supporting plates



ACCESSORIES:

water collecting ring, set of gasket, clamping supports \varnothing 60 mm (for electric motors), base supports for all common electric motors.

BRAUN®

M A S C H I N E N F A B R I K

A U S T R I A

BRAUN MASCHINENFABRIK Ges. m. b. H. & Co. KG, AUSTRIA, 4840 Vöcklabruck, Gmundner Straße 76
Telefon +43 (0) 76 72 - 72 4 63, Telefax +43 (0) 76 72 - 75 6 52, office@braun.at